

G10

超小型微动开关

Subminiature Micro Switch



■ 特点/Features

- ◆ 体型小巧, 结构紧凑
- ◆ 长寿命, 高可靠性
- ◆ 端子种类齐全
- ◆ 配备各种形式操作手柄
- ◆ 广泛应用于家电及工业控制等领域

- ◆ Small Compact Size
- ◆ Long Life and High Reliability
- ◆ Variety of Terminals
- ◆ Variety of Levers Optional
- ◆ Widely used in Appliance and Industry Control

■ 应用/Application

- ◆ 无线对讲机/Waikie Talkie
- ◆ 鼠标/Mouse
- ◆ 电切刀/Electric Knife
- ◆ 电动订书机/Electric Stapler
- ◆ 电话/Telephone
- ◆ 计算器/Calculator
- ◆ 混合器与切肉刀/Mixer & Chopper
- ◆ 电锅/Electeic Pan
- ◆ 电池充电器/Battery Charger
- ◆ 录像带卷绕机/Video Cassette Rewinder
- ◆ 无线电话/Cordless Phone
- ◆ 报警器/Alarm
- ◆ 测试器/Tester Machine
- ◆ 家用电器/Home Appliance

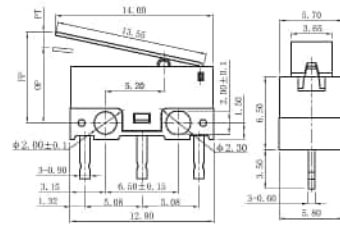
■ 特性参数/Parameters:

额定值/Rating	P1	0.1A 48VDC/125VAC (可选镀金Gold plated optional)
	03	1A/3A 125VAC
操作频率 Operating Frequency	电气/Electrical	10~30次/分 cycles/minute
	机械/Mechanical	120次/分 cycles/minute
触点电阻(初始值) Contact Resistance (Initial Value)		100mΩ Max (取决于类型/Depends on P/Ns)
绝缘电阻/Insulation Resistance(at500 VDC)		在500VDC 时/At 500VDC, 100MΩ Min
抗电强度/Dielectric Strength		AC 600V RMS (50-60HZ)
保存温度/Storage Temperature		-40℃ ~+85℃
保存湿度/Storage Humidity		85%RH Max
寿命/Service Life	电气/Electrical	6,000~100,000次/cycles(取决于类型/Depends on P/Ns)
	机械/Mechanical	1,000,000次/cycles(5,000,000次/cycles可选Optional)
单重/Unit Net Weight		约0.5g(直PCB无手柄类型) About 0.5g(Straight PCB type without lever)

G10系列微动开关订货型号指引 G10 Series Micro Switch Ordering Instruction

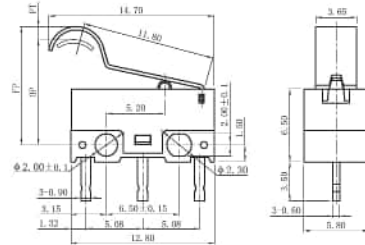
G10	PI	150	S	00	A	XX	TXXX
Switch Type 开关类型	Electrical Rating 额定负载	Max Operating Force at Pin Plunger 操作力(最大值) 数据在不带操作柄测得	Terminal Type 端子类型	Lever Type 操作柄类型	Circuit code 接点形式	Special Designator 特别设计代码	Special Designator 特别设计代码
G10 Series Micro-Switch	ENE/CQC 0.1A 48VDC/125VAC PI 5E4 μ 40T85 UL/CUL: 0.1A 48VDC/125VAC	090 90gf Max	S 标准直焊端子 Solder Terminals	00 不带操作柄 NO Lever 柱式接点 Pin Plunger	A SPDT 单接双投	通用型General	
	ENE/CQC 1A/3A, 125VAC 03 1E4 μ 40T85 UL/CUL: 1A/3A, 125VAC	150 150gf Max	P 标准直插PCB端子 Straight PCB Terminals	01 短直手柄10.0mm Short Straight Lever 0.39"		A 镀金 Gold Plated	此处为特别设计代码 具体型号与规格未确 定信息请鉴别。
G10 系列 微动开关		... 其他 Other	Q 自锁PCB端子 Snap in PCB Terminals	02 标准直手柄13.0mm Std. Straight Lever 0.52"		B 仅适用于小电流 Only for low current.	Here means special designator, letter, refer to product specification for details
			M 短焊端子 Short Solder Terminals	03 长直手柄18.0mm Long Straight Lever 0.71"		12 无卤材料 Non-Halogen Material	
			R PCB右侧端子 Right Angled PCB Terminals	05 模拟滚轮 手柄11.8mm Simulated Roller Lever 0.46"			
			L PCB左侧端子 Left Angled PCB Terminals	07 小型模拟滚轮手柄 Small Simulated Roller Lever 0.59"			
			K 长焊端子 Long Solder Terminals	09 最长直手柄30.0mm Long straight Lever			
			... 特殊端子 Special Terminals	10 滚轮手柄 12.80mm Roller Lever			
			... 特殊手柄 Special Lever	... 特殊手柄 Special Lever			

◆G10□□-□P02A



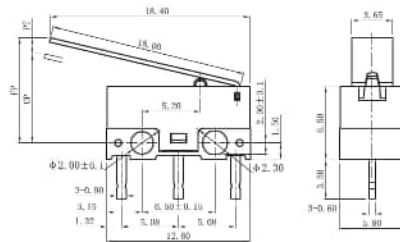
OF Max. (gf)	RF Min. (gf)	PT Max. (mm)	OT Min. (mm)	DT Max. (mm)	FP Max. (mm)	OP (mm)
-090	30	4	3.4	0.3	0.8	8.8
-150	50	8				6.35±0.9

◆G10□□-□P05A



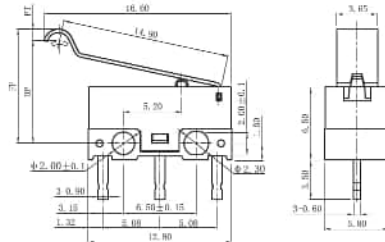
OF Max. (gf)	RF Min. (gf)	PT Max. (mm)	OT Min. (mm)	DT Max. (mm)	FP Max. (mm)	OP (mm)
-090	40	5	3.0	0.3	0.7	12.0
-150	50	8				9.5±0.8

◆G10□□-□P03A



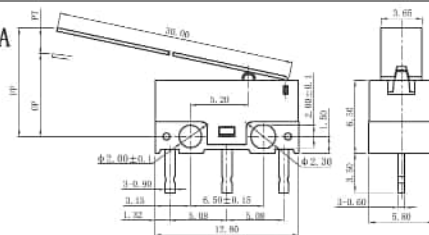
OF Max. (gf)	RF Min. (gf)	PT Max. (mm)	OT Min. (mm)	DT Max. (mm)	FP Max. (mm)	OP (mm)
-090	40	3	4.0	0.5	1.0	10.0
-150	50	5				7.5±1.5

◆G10□□-□P07A



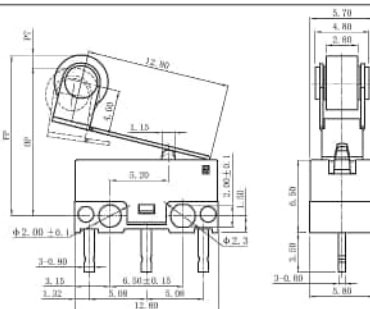
OF Max. (gf)	RF Min. (gf)	PT Max. (mm)	OT Min. (mm)	DT Max. (mm)	FP Max. (mm)	OP (mm)
-090	30	5	3.5	0.3	1.1	11.5
-150	50	8				8.2±1.0

◆G10□□-□P09A



OF Max. (gf)	RF Min. (gf)	PT Max. (mm)	OT Min. (mm)	DT Max. (mm)	FP Max. (mm)	OP (mm)
-090	15	2	6.9	0.4	2.5	14.0
-150	23	3				8.2±2.1

◆G10□□-□P10A



OF Max. (gf)	RF Min. (gf)	PT Max. (mm)	OT Min. (mm)	DT Max. (mm)	FP Max. (mm)	OP (mm)
-090	35	3	5.5	0.3	0.8	16.5
-150	50	6				13.0±1.3