

## G21

双断微动开关  
DPDT Limit Micro Switch



### ■ 特点/Features

- ◆ 长寿命, 高可靠性
  - ◆ 双断型转换机构
  - ◆ 广泛应用于工业控制等领域
- Long Life, High Reliability
  - DPDT Double -Break Type
  - Widely used in Industry Control, etc.

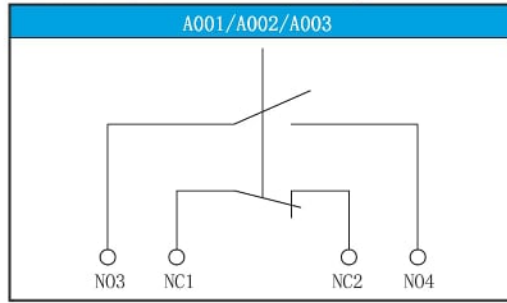
### ■ 应用/Application

- ◆ 通讯工具, 野外作业车辆等
- Communication tools, field work vehicles, etc.

### ■ 特性参数/Parameters

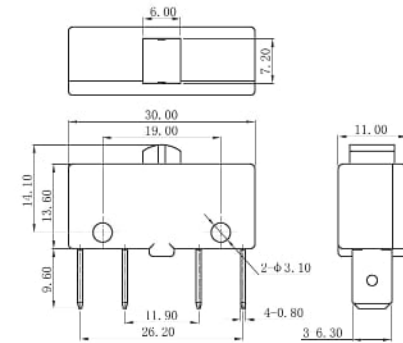
额定值 /Rating		DC14: 6A 12VDC; 2A 24VDC 0.6A 55VDC
操作频率 Operating Frequency	电气/Electrical	60 次/分钟 cycles/minute
	机械/Mechanical	180 次/分钟 cycles/minute
初始接触电阻 /Contact Resistance(Initiative)		100m $\Omega$ Max
绝缘电阻 /Insulation Resistance(at500VDC)		100M $\Omega$ Min
寿命 /Service Life	电气/Electrical	1000,000 次/cycles
	机械/Mechanical	3000,000 次/cycles
保存温度 /Storage Temperature		-30 $^{\circ}$ C~+85 $^{\circ}$ C
保存湿度 /Storage Humidity		95%RH Max
工作温度 /Operating Temperature Range		-30 $^{\circ}$ C~+65 $^{\circ}$ C

■接触形式图/Circuit Configuration



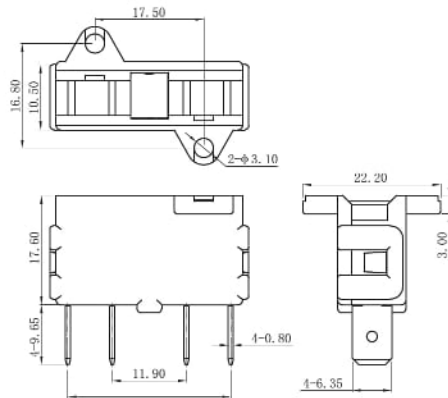
■外形尺寸和操作特征 Dimensions and Operating Characteristics

◆G21-A001



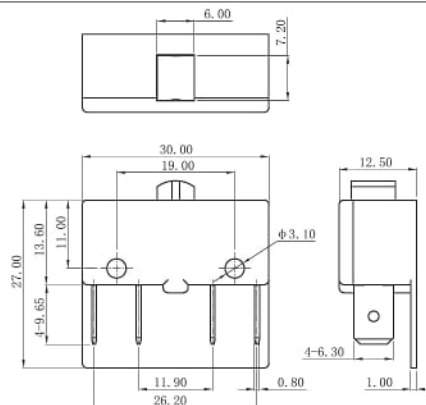
型号 /PartNumber	PT (mm)Max	OT (mm)Min	DT (mm)Max	OF (gf)Max
G21-A001	1.50	0.70	1.00	250

◆G21-A002



型号 /PartNumber	PT (mm)Max	OT (mm)Min	DT (mm)Max	OF (gf)Max
G21-A002	1.50	0.70	1.00	250

◆G21-A003



型号 /PartNumber	PT (mm)Max	OT (mm)Min	DT (mm)Max	OF (gf)Max
G21-A003	1.50	0.70	1.00	250