

G304D Series Sub-miniature Sealed 2Pin Micro Switch

■ Features

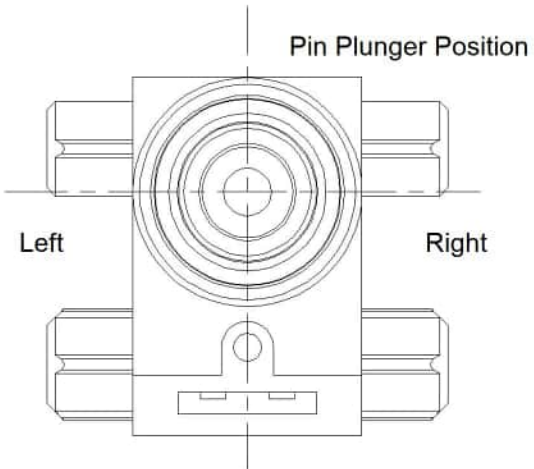
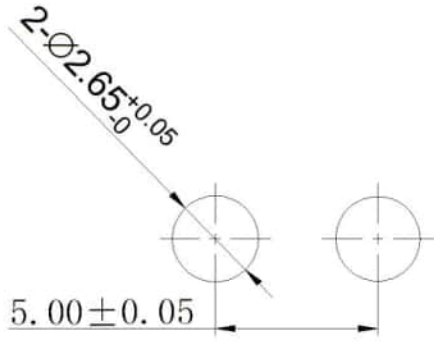
- Small compact size, 2Pin switch, with lever
- Can install lock cover and operate at the various operating bodies (cams, etc.)
- The operating force does not depend on the operating travel structure.
- High-reliability switch for tiny loads
- High-sealed switch, resistance to the environment (IP67)
- Mute structure with sliding contacts



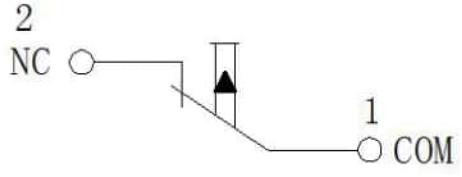
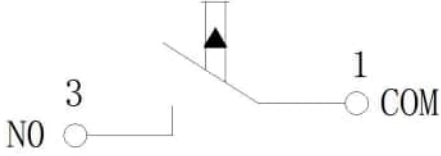
■ Parameters

Operating Speed		30~500 mm/s
Operating Frequency		120 cycles/minute
Insulation Resistance		100MΩ Min (DC 500V)
Contact Resistance (Initial value)	with terminals type	500mΩ Max
	with wire type	800mΩ Max (300mm wires length)
Voltage Resistance	Between terminals	AC500V, 50/60HZ, 1min.
	Between terminals and uncharged metal parts	AC1500V, 50/60HZ, 1min.
Service Life	Electrical	300,000 cycles (30 cycles/min) DC12V 0.1A 50μA 5VDC
	Mechanical	300,000 cycles (60 cycles/min)
Protection Type		IEC IP67 (Except terminal part)
Operating Temperature		-40~+85°C
Storage Humidity		95%RH Max (+5~+35°C)

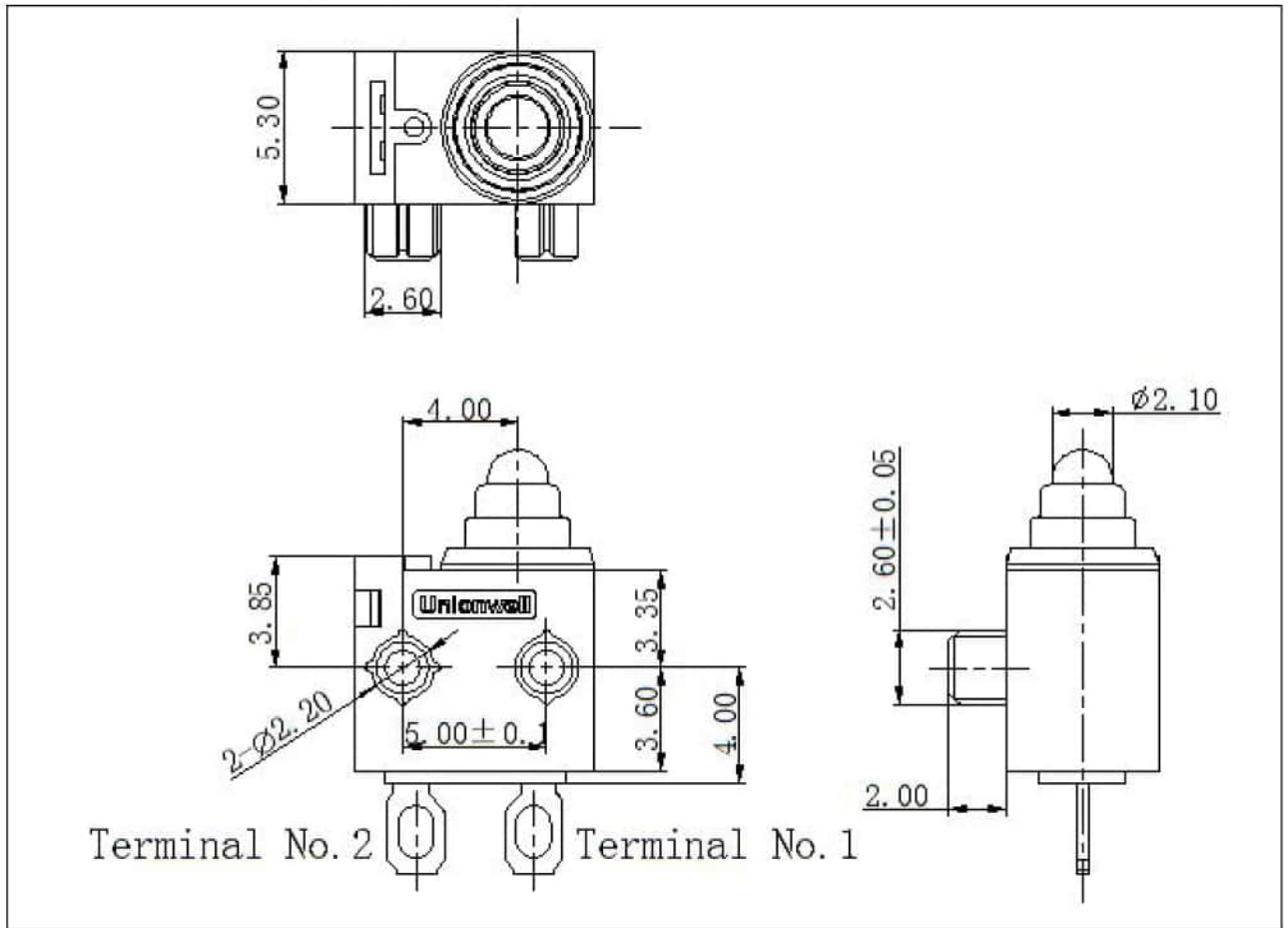
■ Posts Direction Define

Posts Direction	Mounting Dimensions
 <p>Pin Plunger Position</p> <p>Left Right</p>	 <p>$2-\text{Ø}2.65^{+0.05}_{-0}$</p> <p>$5.00 \pm 0.05$</p>

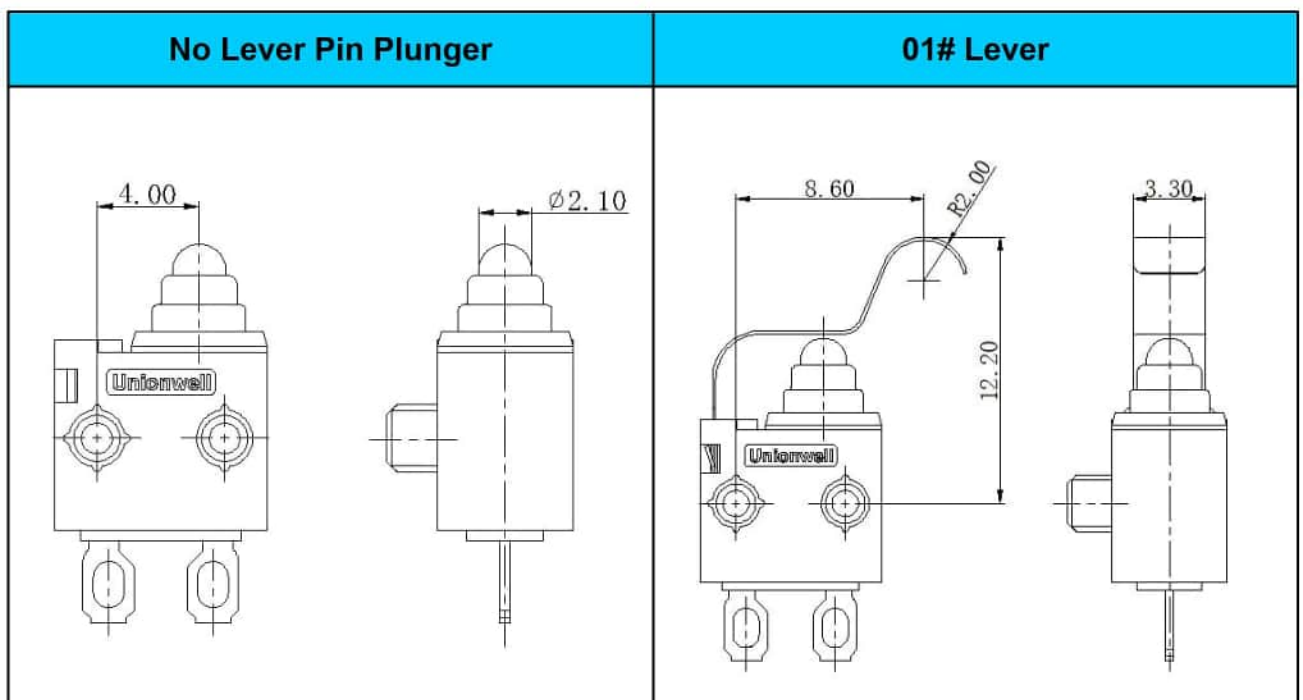
■ Circuit

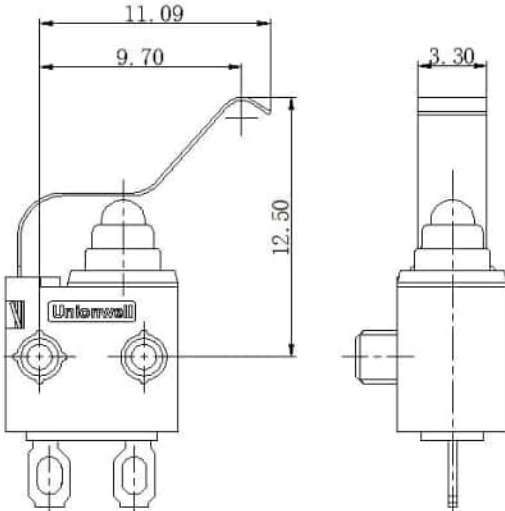
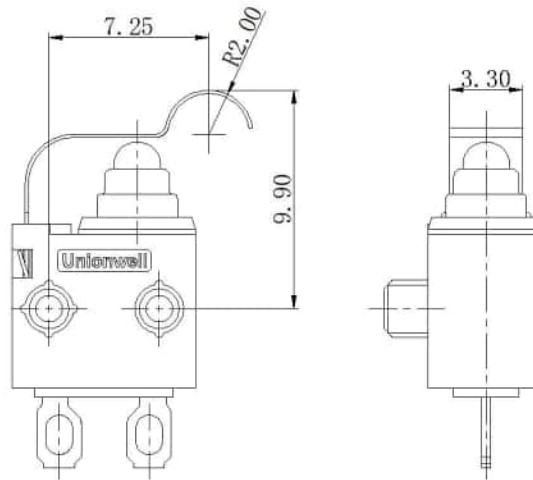
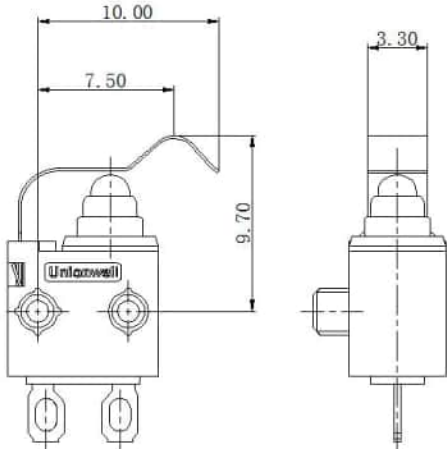
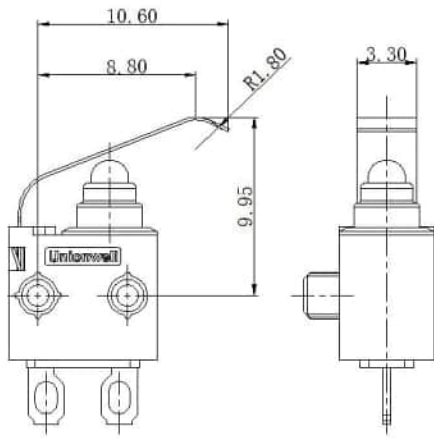
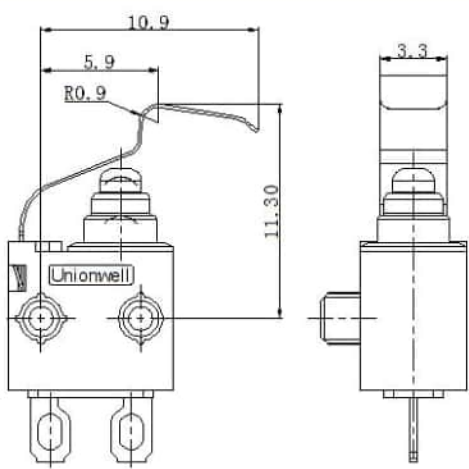
B:SPST-NC	C:SPST-NO
 <p>2 NC</p> <p>1 COM</p>	 <p>3 NO</p> <p>1 COM</p>

■ Dimensions (mm)



■ Switch Lever Type



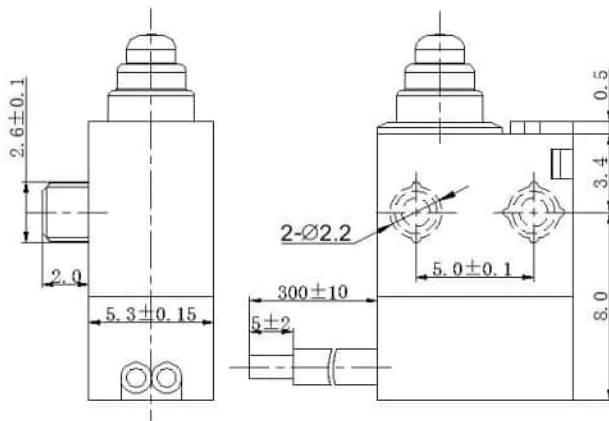
02# Lever	03# Lever
	
04# Lever	05# Lever
	
06# Lever
	

Switch Terminal Type

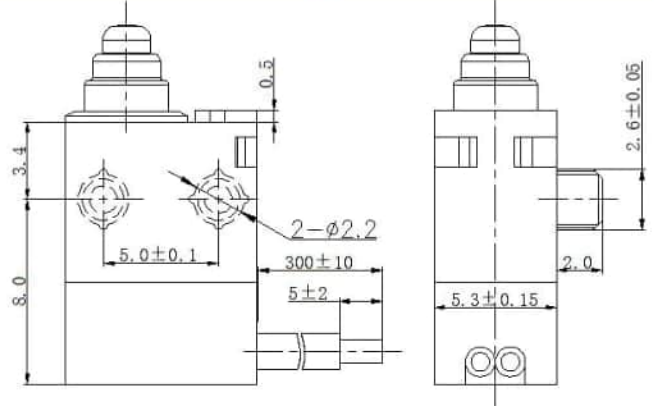
Solder Terminal	PCB Terminal
Left Side PCB Terminal	Right Side PCB Terminal
Left Side Fork-shaped Terminal	Right Side Fork-shaped Terminal

■ Wires Leads Type

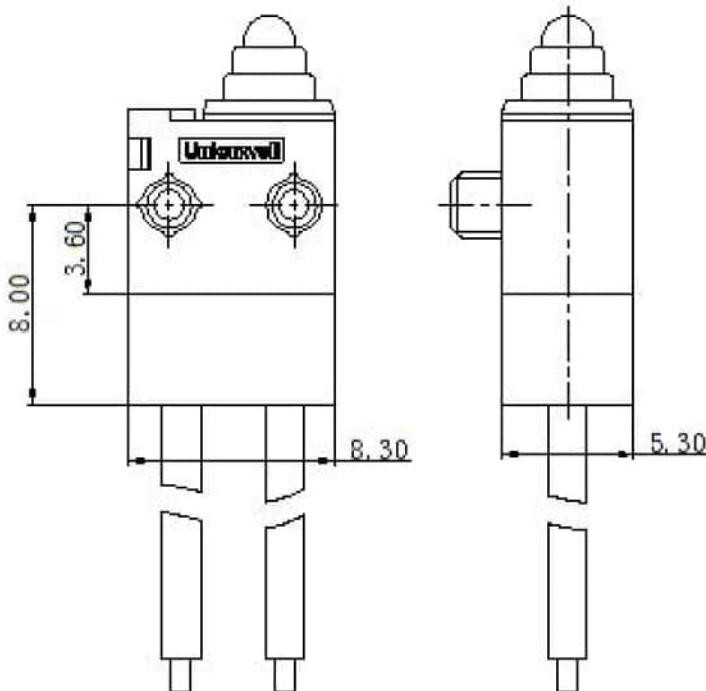
A-Type Waterproof Cover Wires Leads To Left



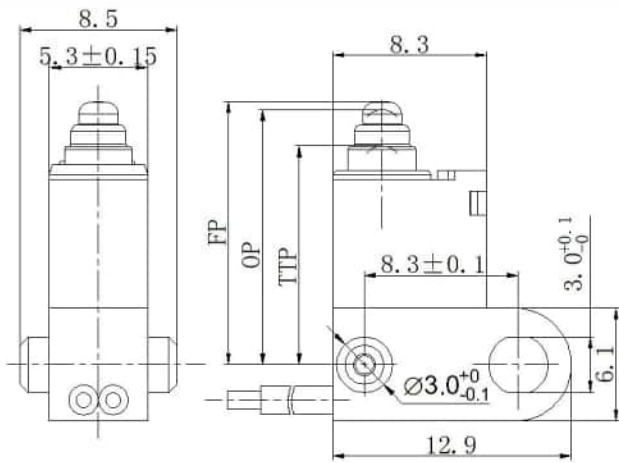
A-Type Waterproof Cover Wires Leads To Right



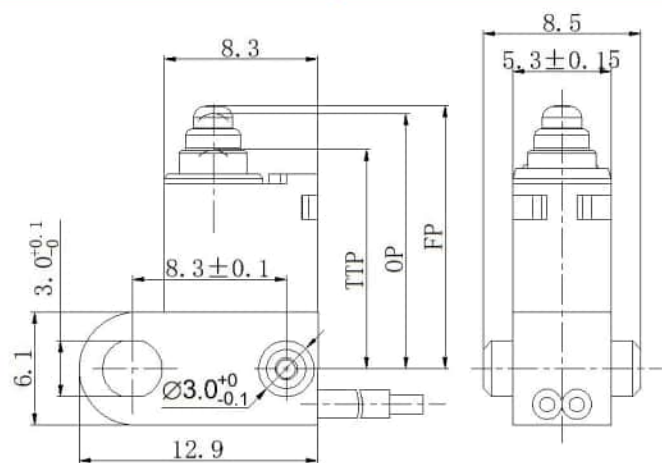
A-Type Waterproof Cover Wires Leads To Bottom



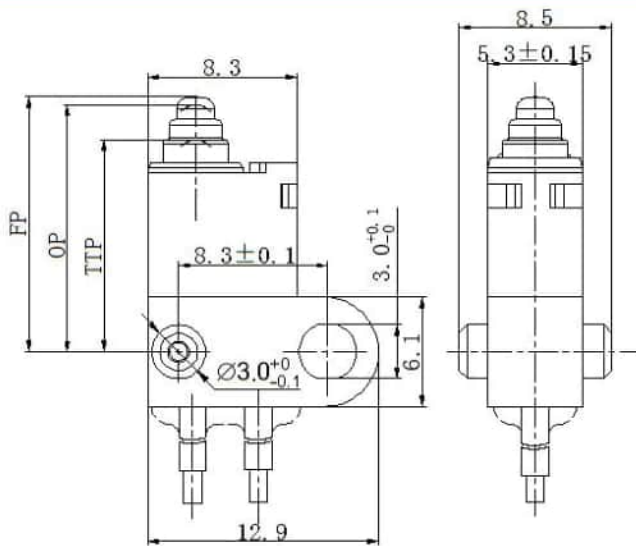
B-Type Waterproof Cover Wires Leads To Left



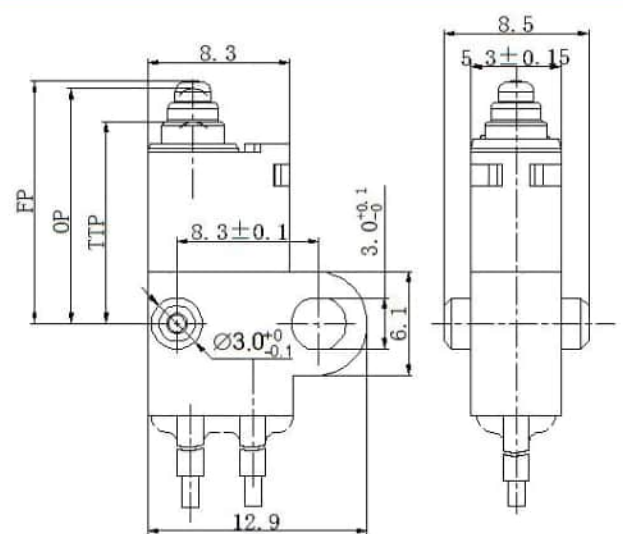
B-Type Waterproof Cover Wires Leads To Right



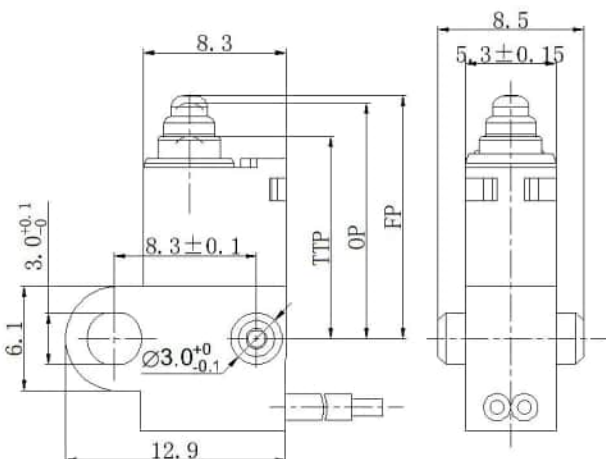
B-Type Waterproof Cover Wires Leads To Bottom



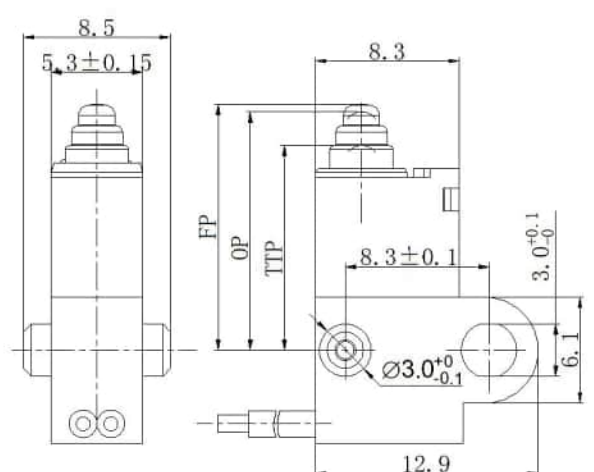
C-Type Waterproof Cover (Build-in Resistance) Wires Leads To Bottom



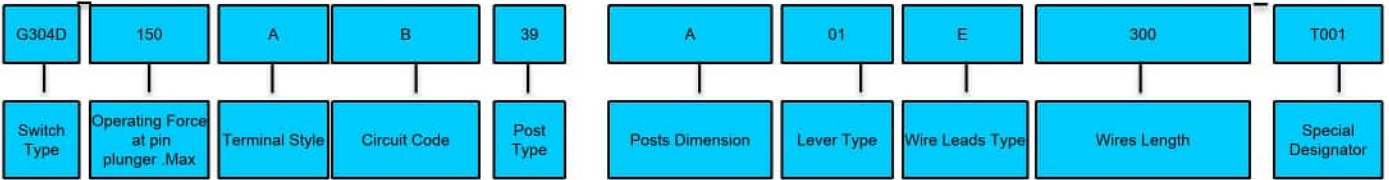
C-Type Waterproof Cover (Build-in Resistance) Wires Leads To Left



C-Type Waterproof Cover (Build-in Resistance) Wires Leads To Right



■G304D Series Micro Switch Ordering Instruction



150	150gf Max	A	Solder Terminal	B	SPST-NC	39	No Post	N	No Post	00	No Lever Pin Plunger	N	No Wires	000	No Wires	T001	Special Customized 1
		B	PCB Terminal	C	SPST-NO	40	Left Post	A	Φ 2.6*2.0 Posts	01	01# Lever	E	A Cover Wires Leads To Bottom	300	300mm Wires Length AVSS 0.3MM ² (Black Wire COM terminal, White Wire NC/NO terminal)	...	Other
		C	Left Side PCB Terminal			41	Right Post	...	Other	02	02# Lever	F	A Cover Wires Leads To Left	...	Other		
		D	Right Side PCB Terminal			42	Two Sides Posts			03	03# Lever	G	A Cover Wires Leads To Right				
		...	Other			...	Other			04	04# Lever	H	B Cover Wires Leads To Bottom				
										05	05# Lever	J	B Cover Wires Leads To Left				
										06	06# Lever	K	B Cover Wires Leads To Right				
										...	Other	L	C Cover Wires Leads To Bottom				
												M	C Cover Wires Leads To Left				
												P	C Cover Wires Leads To Right				

Seal ring by hot riveting

Waterproof Design
Protection Type: IP67

Seal bottom by sealant

Tight Configuration

A-Type Waterproof Cover

B-Type Waterproof Cover

C-Type Waterproof Cover

Operating Parameters

Lever No.	Lever Type	Dimensions	Operating Characteristics												
N	No Post		<table border="1"> <tr> <td>Model</td> <td>G304D-150A□39N00N000</td> </tr> <tr> <td>Operating Force (OF)</td> <td>150gf Max.</td> </tr> <tr> <td>Free Position (FP)</td> <td>4.5mm Max.</td> </tr> <tr> <td>Operating Position NC/NO(OP)</td> <td>3.7±0.3mm</td> </tr> <tr> <td>Release Position NO/NO(RP)</td> <td>3.8±0.4mm</td> </tr> <tr> <td>Total Travel Position (TTP)</td> <td>2.0mm Min.</td> </tr> </table>	Model	G304D-150A□39N00N000	Operating Force (OF)	150gf Max.	Free Position (FP)	4.5mm Max.	Operating Position NC/NO(OP)	3.7±0.3mm	Release Position NO/NO(RP)	3.8±0.4mm	Total Travel Position (TTP)	2.0mm Min.
			Model	G304D-150A□39N00N000											
			Operating Force (OF)	150gf Max.											
			Free Position (FP)	4.5mm Max.											
			Operating Position NC/NO(OP)	3.7±0.3mm											
			Release Position NO/NO(RP)	3.8±0.4mm											
Total Travel Position (TTP)	2.0mm Min.														
Ø2.6	Post		<table border="1"> <tr> <td>Model</td> <td>G304D-150A□41A00N000</td> </tr> <tr> <td>Operating Force (OF)</td> <td>150gf Max.</td> </tr> <tr> <td>Free Position (FP)</td> <td>7.70mm Max.</td> </tr> <tr> <td>Operating Position NC/NO(OP)</td> <td>7.1±0.3mm</td> </tr> <tr> <td>Release Position NO/NO(RP)</td> <td>7.2±0.3mm</td> </tr> <tr> <td>Total Travel Position (TTP)</td> <td>5.1mm Min.</td> </tr> </table>	Model	G304D-150A□41A00N000	Operating Force (OF)	150gf Max.	Free Position (FP)	7.70mm Max.	Operating Position NC/NO(OP)	7.1±0.3mm	Release Position NO/NO(RP)	7.2±0.3mm	Total Travel Position (TTP)	5.1mm Min.
			Model	G304D-150A□41A00N000											
			Operating Force (OF)	150gf Max.											
			Free Position (FP)	7.70mm Max.											
			Operating Position NC/NO(OP)	7.1±0.3mm											
			Release Position NO/NO(RP)	7.2±0.3mm											
Total Travel Position (TTP)	5.1mm Min.														
01	1# Lever		<table border="1"> <tr> <td>Model</td> <td>G304D-150A□41A01N000</td> </tr> <tr> <td>Operating Force (OF)</td> <td>150gf Max.</td> </tr> <tr> <td>Free Position (FP)</td> <td>13.40mm Max.</td> </tr> <tr> <td>Operating Position NC/NO(OP)</td> <td>10.8±0.70mm</td> </tr> <tr> <td>Release Position NO/NO(RP)</td> <td>11.1±0.80mm</td> </tr> <tr> <td>Total Travel Position (TTP)</td> <td>7.9mm Min.</td> </tr> </table>	Model	G304D-150A□41A01N000	Operating Force (OF)	150gf Max.	Free Position (FP)	13.40mm Max.	Operating Position NC/NO(OP)	10.8±0.70mm	Release Position NO/NO(RP)	11.1±0.80mm	Total Travel Position (TTP)	7.9mm Min.
			Model	G304D-150A□41A01N000											
			Operating Force (OF)	150gf Max.											
			Free Position (FP)	13.40mm Max.											
			Operating Position NC/NO(OP)	10.8±0.70mm											
			Release Position NO/NO(RP)	11.1±0.80mm											
Total Travel Position (TTP)	7.9mm Min.														
02	2# Lever		<table border="1"> <tr> <td>Model</td> <td>G304D-150A□41A02N000</td> </tr> <tr> <td>Operating Force (OF)</td> <td>150gf Max.</td> </tr> <tr> <td>Free Position (FP)</td> <td>10.2mm Max.</td> </tr> <tr> <td>Operating Position NC/NO(OP)</td> <td>8.7±0.3mm</td> </tr> <tr> <td>Release Position NO/NO(RP)</td> <td>8.9±0.3mm</td> </tr> <tr> <td>Total Travel Position (TTP)</td> <td>5.7mm Min.</td> </tr> </table>	Model	G304D-150A□41A02N000	Operating Force (OF)	150gf Max.	Free Position (FP)	10.2mm Max.	Operating Position NC/NO(OP)	8.7±0.3mm	Release Position NO/NO(RP)	8.9±0.3mm	Total Travel Position (TTP)	5.7mm Min.
			Model	G304D-150A□41A02N000											
			Operating Force (OF)	150gf Max.											
			Free Position (FP)	10.2mm Max.											
			Operating Position NC/NO(OP)	8.7±0.3mm											
			Release Position NO/NO(RP)	8.9±0.3mm											
Total Travel Position (TTP)	5.7mm Min.														
03	3# Lever		<table border="1"> <tr> <td>Model</td> <td>G304D-150A□41A03N000</td> </tr> <tr> <td>Operating Force (OF)</td> <td>150gf Max.</td> </tr> <tr> <td>Free Position (FP)</td> <td>12.8mm Max.</td> </tr> <tr> <td>Operating Position NC/NO(OP)</td> <td>10.9±0.7mm</td> </tr> <tr> <td>Release Position NO/NO(RP)</td> <td>11.1±0.8mm</td> </tr> <tr> <td>Total Travel Position (TTP)</td> <td>6.8mm Min.</td> </tr> </table>	Model	G304D-150A□41A03N000	Operating Force (OF)	150gf Max.	Free Position (FP)	12.8mm Max.	Operating Position NC/NO(OP)	10.9±0.7mm	Release Position NO/NO(RP)	11.1±0.8mm	Total Travel Position (TTP)	6.8mm Min.
			Model	G304D-150A□41A03N000											
			Operating Force (OF)	150gf Max.											
			Free Position (FP)	12.8mm Max.											
			Operating Position NC/NO(OP)	10.9±0.7mm											
			Release Position NO/NO(RP)	11.1±0.8mm											
Total Travel Position (TTP)	6.8mm Min.														

■ Operating Parameters

Lever No.	Lever Type	Dimensions	Operating Characteristics	
04	4# Lever		Model	G304D-150A□41A04N000
			Operating Force (OF)	150gf Max.
			Free Position (FP)	10.2mm Max.
			Operating Position NC/NO(OP)	8.5±0.7mm
			Release Position NO/NO(RP)	8.8±0.8mm
			Total Travel Position (TTP)	5.7mm Min.
05	5# Lever		Model	G304D-150A□41A05N000
			Operating Force (OF)	150gf Max.
			Free Position (FP)	10.3mm Max.
			Operating Position NC/NO(OP)	7.8±0.7mm
			Release Position NO/NO(RP)	8.1±0.8mm
			Total Travel Position (TTP)	6.1mm Min.
06	6# Lever		Model	G304D-150A□41A06N000
			Operating Force (OF)	150gf Max.
			Free Position (FP)	11.30mm Max.
			Operating Position NC/NO(OP)	9.8±0.70mm
			Release Position NO/NO(RP)	10.1±0.80mm
			Total Travel Position (TTP)	7.5mm Min.
07	A Waterpro of Cover		Model	G304D-150A□41A00■□□□
			Operating Force (OF)	150gf Max.
			Free Position (FP)	7.70mm Max.
			Operating Position NC/NO(OP)	7.1±0.3mm
			Release Position NO/NO(RP)	7.2±0.3mm
			Total Travel Position (TTP)	5.1mm Min.

■ Operating Parameters

Lever No.	Lever Type	Dimensions	Operating Characteristics												
08	B Waterpro of cover		<table border="1"> <tr> <td>Model</td> <td>G304D-150A□39N00■□□□</td> </tr> <tr> <td>Operating Force (OF)</td> <td>150gf Max.</td> </tr> <tr> <td>Free Position (FP)</td> <td>14.45mm Max.</td> </tr> <tr> <td>Operating Position NC/NO(OP)</td> <td>13.75±0.35mm</td> </tr> <tr> <td>Release Position NO/NO(RP)</td> <td>13.80±0.40mm</td> </tr> <tr> <td>Total Travel Position (TTP)</td> <td>11.75mm Min.</td> </tr> </table>	Model	G304D-150A□39N00■□□□	Operating Force (OF)	150gf Max.	Free Position (FP)	14.45mm Max.	Operating Position NC/NO(OP)	13.75±0.35mm	Release Position NO/NO(RP)	13.80±0.40mm	Total Travel Position (TTP)	11.75mm Min.
			Model	G304D-150A□39N00■□□□											
			Operating Force (OF)	150gf Max.											
			Free Position (FP)	14.45mm Max.											
			Operating Position NC/NO(OP)	13.75±0.35mm											
			Release Position NO/NO(RP)	13.80±0.40mm											
Total Travel Position (TTP)	11.75mm Min.														
09	C Waterpro of cover		<table border="1"> <tr> <td>Model</td> <td>G304D-150A□39N00■□□□</td> </tr> <tr> <td>Operating Force (OF)</td> <td>150gf Max.</td> </tr> <tr> <td>Free Position (FP)</td> <td>14.45mm Max.</td> </tr> <tr> <td>Operating Position NC/NO(OP)</td> <td>13.75±0.35mm</td> </tr> <tr> <td>Release Position NO/NO(RP)</td> <td>13.80±0.40mm</td> </tr> <tr> <td>Total Travel Position (TTP)</td> <td>11.75mm Min.</td> </tr> </table>	Model	G304D-150A□39N00■□□□	Operating Force (OF)	150gf Max.	Free Position (FP)	14.45mm Max.	Operating Position NC/NO(OP)	13.75±0.35mm	Release Position NO/NO(RP)	13.80±0.40mm	Total Travel Position (TTP)	11.75mm Min.
			Model	G304D-150A□39N00■□□□											
			Operating Force (OF)	150gf Max.											
			Free Position (FP)	14.45mm Max.											
			Operating Position NC/NO(OP)	13.75±0.35mm											
			Release Position NO/NO(RP)	13.80±0.40mm											
Total Travel Position (TTP)	11.75mm Min.														

■ Application

- Car (Automotive door seal inspection, car shift lever position detection, shared helmet, charging gun, etc.)
- Appliances (Vacuum cleaners, air conditioners, washing machines, power tools, etc.)

