

G309 (G-Type) Sub-miniature Micro Switch



■ Features

- Designed For Water And Dust Tight (IP67)
- Small Compact Size
- Long Life And High Reliability
- Variety Of Levers
- Wide Range Of Wiring Terminals
- Widely Used In Automotive Electronics, Appliance And Industrial Control Etc.
- Customized Designs
- Contact Structure

■ Application

- Car
- Air-Comditioner
- Communication
- Electric Tooth Brush
- Toys

■ Parameters

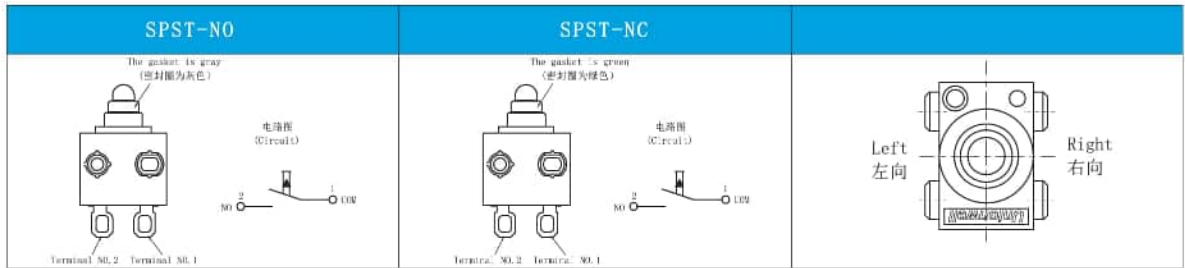
Operating		1~500mm/s
Operating Frequency		120次/min
Insutation Resistance		≥100MΩ (DC 500V insulating-resistance meter)
Insutation Resistance (Initiative)	with terminals type	≤100mΩ
	with wire type	≤500mΩ (300mm wire length)
Insutation Resistance (Initiative)	Between terminals	AC500V, 50/60HZ, 1min.
	Between terminals and uncharged metal parts	AC1000V, 50/60HZ, 1min.
Vibration Resistance	No transformation action	10~55HZ Double amplitude 1.5mm
Service Life	Electrical	300000 cycles (20 cycles/min) DC12V 0.1A DC3V 50μA
	Mechanical	300,000 cycles (30 cycles/min)
Protection Level		IEC IP67 (Except the terminal part)
Storage Temperature		-40~+85°C 60%RHunder (With no icing or condensation)
Storage Humidity		95%RH under (+5~+35°C)

G309 G-Type Series Micro Switch Ordering Instruction

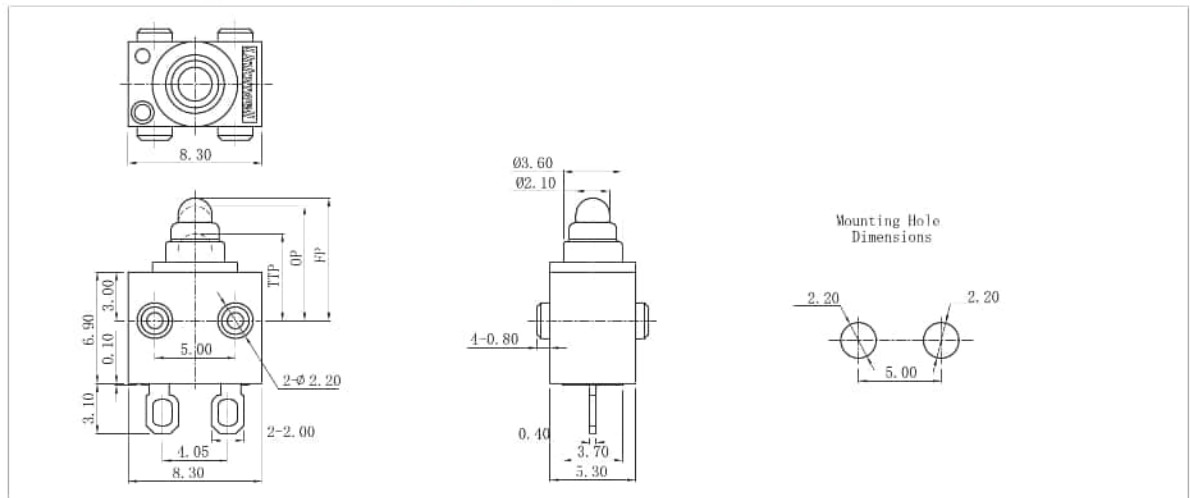
G309	150	P	00	E	39	Posts Dimension	G	A	280	Special Designator
Switch Type	Operating Force at Pulling In	Terminal Style	Lever Type	Circuit Code	Shape and Posts	Posts Dimension	AWG Type (for Wire type only)	AWG Number (for Wire type only)	Wires Length	Special Designator
G309 Series - Micro Switch	80	M Short Solder Terminals	00 Not over Pin Plunger	E Slide Type SPST-NO	39 6 Type no post	F Type Standard posts: 2.6mm x 0.6mm	No Molded Lead Wires	No Molded Lead Wires	300 290mm Standard Lead Wires 300mm	S Special Code
	150	V Solder Terminals	Other	F Slide Type SPST-NC	40 6 Type Left Posts	G 40L 6M L 5mm posts.	F 22#	A 0.11007	280 290mm Length	B Molded Lead Wires on Left Side
	Other	P Straight PCB Terminals		Other	41 6 Type Right Posts	R 40L 6M L 5mm posts.	G 24#	F AVSS	Other	C Molded Lead Wires on Left Side
		S Short Solder Terminals with Straight PCB Hole			42 6 Type Two Sides Posts	I 40L 2M L 5mm posts.	Other	G 0.12132		E Molded Lead Wires on Bottom
		Other			44 6 Type Reverse Left Posts	K T 3M L 2M L 2mm posts.		Other		Other
					Other	Other		Other		

■Circuit

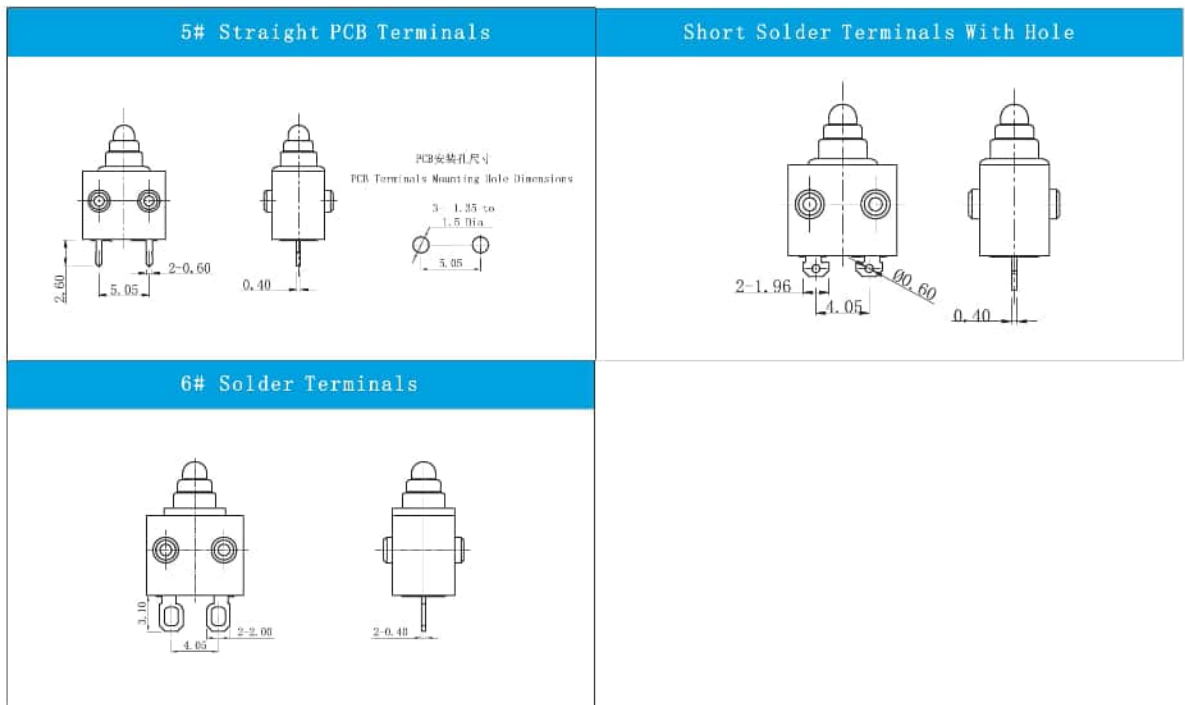
■Post direction define



■Basic Mounting Dimensions And Operating Characteristics



■Switch Terminal Type (Can be customized)

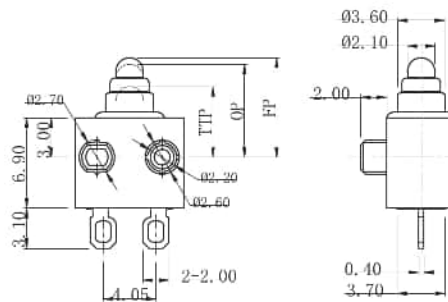


Posts Type

I Type: $\phi 2.20\text{mm} \times 0.8\text{mm}$ two sides posts	H Type: $\phi 2.60\text{mm} \times 2.0\text{mm}$ left posts	No posts

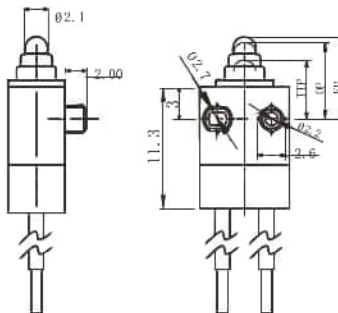
Dimensions And Operating Characteristics

◆ G309-150V00E40H-U



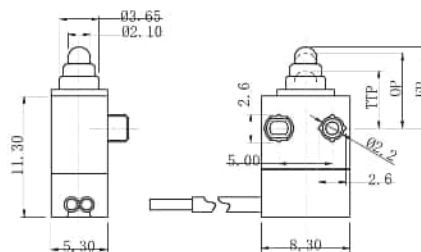
OF Max. (gf)	TTP Max. (mm)	FP Max. (mm)	OP (mm)
150	5.3	7.9	7.1 ± 0.3

◆ G309-150M00E40H-◇◇◇◇◇E-U



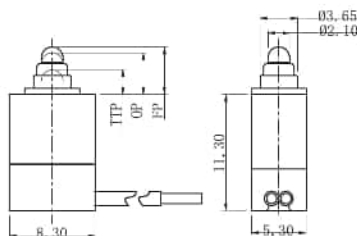
OF Max. (gf)	TTP Max. (mm)	FP Max. (mm)	OP (mm)
150	5.3	7.9	7.1 ± 0.3

◆ G309-150M00E40H-◇◇◇◇◇B-U



OF Max. (gf)	TTP Max. (mm)	FP Max. (mm)	OP (mm)
150	5.3	7.9	7.1 ± 0.3

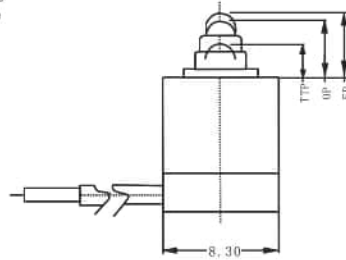
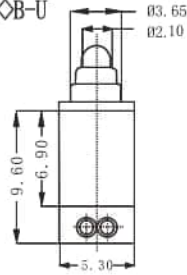
◆ G309-150M00E39-◇◇◇◇◇C-U



OF Max. (gf)	TTP Max. (mm)	FP Max. (mm)	OP (mm)
150	2.3	4.9	4.1 ± 0.3

■ Dimensions And Operating Characteristics

◆ G309-150M00E39-◇◇◇◇B-U



OF Max. (gF)	TTP Max. (mm)	FP Max. (mm)	OP (mm)
150	2.3	4.9	4.1 ± 0.3