

G5E



超小型微动开关 Suminiature Micro Switch

■特点/Features

- ◆ 体型小巧,结构紧凑,具有微小触点间隙,快速动作、高灵敏度和微小动作行程的特点
- ◆ 长寿命,高可靠性
- ◆ 端子类型齐全
- ◆ PTI等级400V
- ◆ 广泛应用于家用电器,电子设备,自动化设备,通讯设备,汽车电子仪器仪表,电动工具等领域,特别适用于电热水龙头行业。

- ◆ Small Compact Size
- ◆ Long Life and High Reliability
- ◆ Variety of Terminals
- ◆ PTI rated 400V
- ◆ Widely applied for home appliances, electronic equipments, automatic equipments, communication equipments, auto electronics, apparatus and instruments, electrical tools etc. Specially used for electric heating tap industry.

■应用/Application

- ◆ 家用电器:电热水龙头
- ◆ 电子设备
- ◆ 自动化设备
- ◆ 通讯设备
- ◆ 汽车电子
- ◆ 仪器仪表
- ◆ 电动工具等领域
- ◆ Home Appliance:electric heating tap
- ◆ Electronic Equipments
- ◆ Automatic Equipments
- ◆ Communication Equipments
- ◆ Auto Electronics
- ◆ Apparatus and Instruments
- ◆ Power Tools

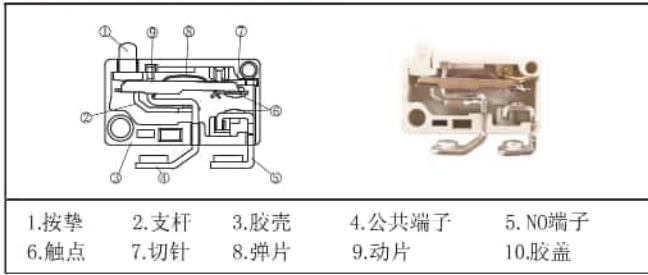
■特性参数/Parameters:

工作速度/Operating Speed	0.1mm-1m/s(与驱动方式有关)	
工作频率/Operating Frequency	机械60次/分钟;电气15次/分钟	
绝缘电阻/Insulation Resistance	$\geq 100M \Omega$ (500VDC)	
接触电阻/Contact Resistance	$\leq 100m \Omega$ (初始值)	
耐电压 Voltage Resistance	耐电压-同极不相连端子间 Between each terminals of the same polarity	AC1000V, 50/60HZ, 1min.
	耐电压-带电流零件与外壳之间,连接端与基座及不带电金属件间 Between current-carrying metal part and group, and between each terminals and non-current-carrying metal parts	AC1500V, 50/60HZ, 1min.
抗震动/Vibration Resistance	10-55HZ, 1.5mm 两倍振幅	
保存温度/Storage Temperature	-40~85℃	
保存湿度/Storage Humidity	85%RH Max	
寿命/Service Life	电气/Electrical	50000次/cycles
	机械/Mechanical	1000,000次/cycles

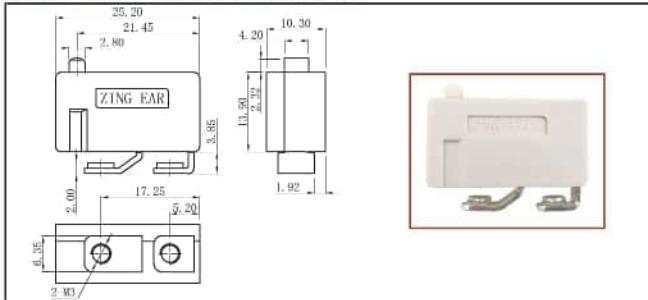
G5E 系列微动开关订货型号指引 G5E Series Micro Switch Ordering Instruction

G5E	16	100	A	P	T001
Switch Type 开关类别	Electrical Rating 额定负载	Max Operating Force at Pin Plunger 操作力(最大值)	Terminal Type 端子类型	Circuit code 接触形式	Custom code 定制代码
Switch Type 开关类别	16 16A 250VAC 5E4 μ 40T85	100 100gf Max	A M3 螺孔端子	P SPST-NO 单极单投-常开	通用型 General
	... 其他 Other	150 150gf Max	... 特殊端子 Special Terminals		T001
	... 其他 Other	... 其他 Other	... 其他 Other		

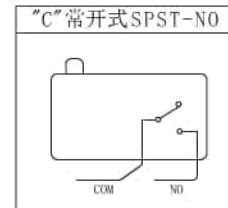
内部构造图/Inner Construction



外形特征/Shape Characteristics

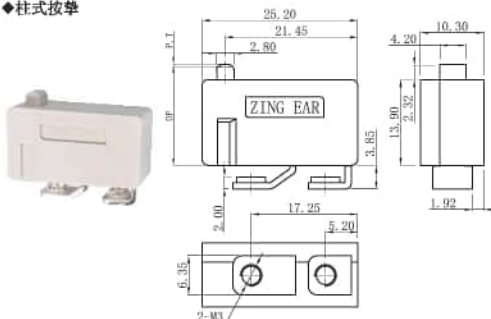


接触形式图/Circuit Configuration



外形尺寸和操作特征/Dimensions and Operating Characteristics

◆柱式按挚



操作参数

型号	OF Max. (gf)	RF Min. (gf)	PT Max. (mm)	OT Min. (mm)	DT Max. (mm)	FP Max. (mm)	OP (mm)
G5E □ □ -100AP	100	20	1.6	0.8	0.8	17	15.5 ±0.5
G5E □ □ -150AP	150	30	1.6	0.8	0.8	17	15.5 ±0.5
G5E □ □ -200AP	200	50	1.6	0.8	0.8	17	15.5 ±0.5
G5E □ □ -300AP	300	75	1.6	0.8	0.8	17	15.5 ±0.5
G5E □ □ -400AP	400	100	1.6	0.8	0.8	17	15.5 ±0.5